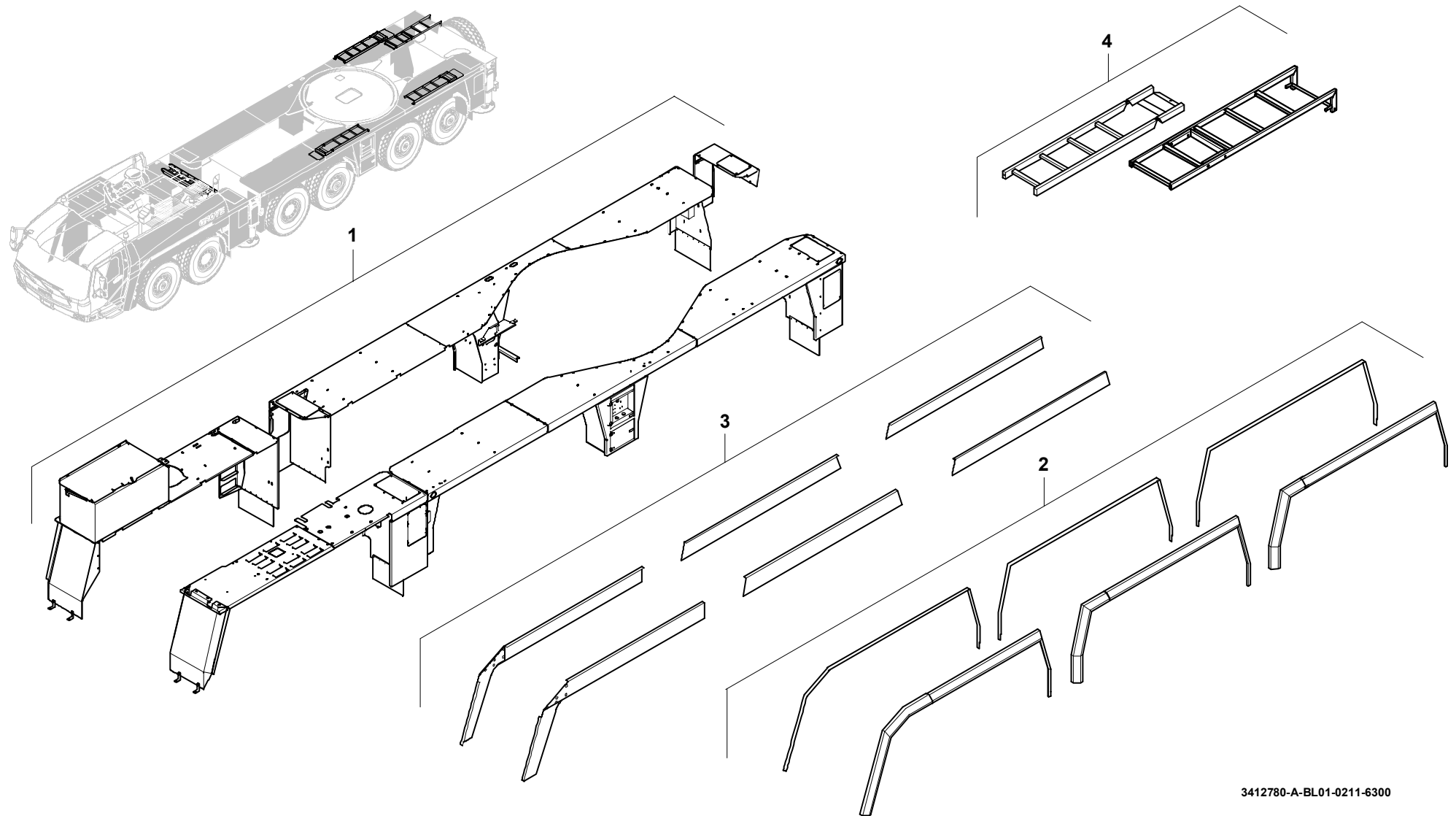


**GROVE**ABDECKUNG 20,5" BEREIFUNG  
COVERING 20,5" SET OF TIRESBILDТАFEL  
PICTORIAL DISPLAY**GMK 6300**  
**BE 506**  
**G 034**

02.11

**3412780-ETL A**

1/1



3412780-A-BL01-0211-6300